

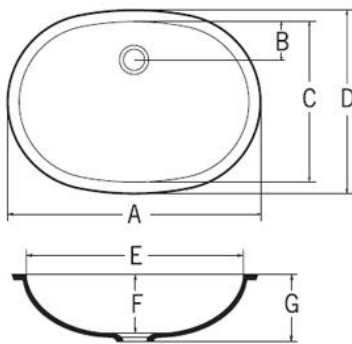
SN-302-2020

Shaped Products : Staron® Solid surfaces sinks and bowls

- Available in five colors
- Bright White / Ivory / Pearl / Quasar White / Pure White

A3211

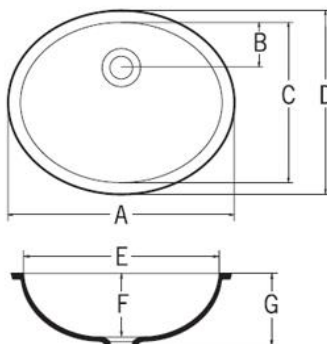
Bowl



A	21.57in (548mm)
B	3.38in (86mm)
C	14.01in (356mm)
D	15.59in (396mm)
E	20.00in (508mm)
F	6.14in (156mm)
G	6.81in (173mm)

A3181

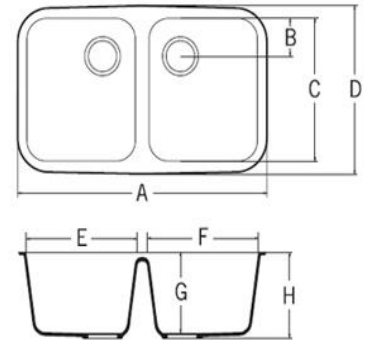
Bowl



A	18.18in (462mm)
B	3.70in (94mm)
C	13.22in (336mm)
D	14.80in (376mm)
E	16.61in (422mm)
F	5.47in (139mm)
G	6.14in (156mm)

A2311

Sink



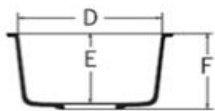
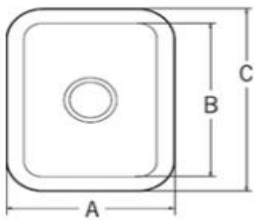
A	31.25in (794mm)
B	4.33in (110mm)
C	16.57in (421mm)
D	18.93in (481mm)
E	13.70in (348mm)
F	13.70in (348mm)
G	9.84in (250mm)

This Technical Bulletin is intended to provide guidelines for optimal fabrication, installation, and performance of Lotte Chemical Corp. products mentioned. Though the information contained herein is deemed reliable, none of the contents--including but not limited to the instructions, techniques, graphics, and recommendations--is to be understood as implying legal liability of fitness for a specific purpose, any other type of warranty, or being complete or absolute in its range and nature of information.

Depending on the user's particular application, all necessary measures must be taken to verify and test the adequacy for such needs or application. Any information or recommendation herein is strictly for purposes of reference and as such, Lotte Chemical Corp. assumes no responsibility for its suitability or accuracy or the use of such information for products other than Lotte Chemical Corp. Staron® solid surfaces & Radianz® quartz surfaces.

A1121

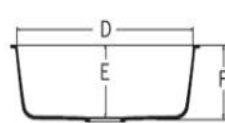
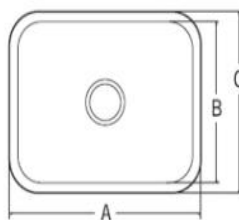
Sink



A	12.83in (326mm)
B	14.01in (356mm)
C	16.37in (416mm)
D	10.47in (266mm)
E	6.49in (165mm)
F	7.08in (180mm)

A1231

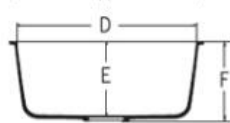
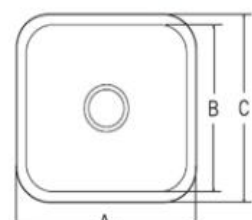
Sink



A	23.30in (592mm)
B	16.61in (422mm)
C	18.97in (482mm)
D	20.94in (532mm)
E	7.36in (187mm)
F	7.95in (202mm)

A1181

Sink



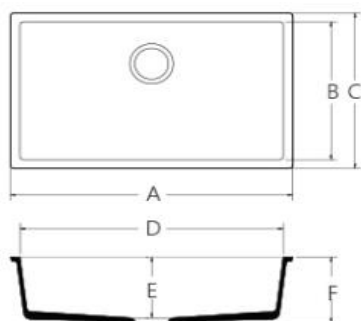
A	18.11in (460mm)
B	15.75in (400mm)
C	18.11in (460mm)
D	15.75in (400mm)
E	8.18in (208mm)
F	8.85in (225mm)

This Technical Bulletin is intended to provide guidelines for optimal fabrication, installation, and performance of Lotte Chemical Corp. products mentioned. Though the information contained herein is deemed reliable, none of the contents--including but not limited to the instructions, techniques, graphics, and recommendations--is to be understood as implying legal liability of fitness for a specific purpose, any other type of warranty, or being complete or absolute in its range and nature of information.

Depending on the user's particular application, all necessary measures must be taken to verify and test the adequacy for such needs or application. Any information or recommendation herein is strictly for purposes of reference and as such, Lotte Chemical Corp. assumes no responsibility for its suitability or accuracy or the use of such information for products other than Lotte Chemical Corp. Staron® solid surfaces & Radianz® quartz surfaces.

B3290

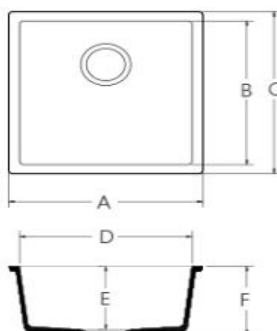
Sink



A	29.52in (750mm)
B	15.75in (400mm)
C	17.64in (448mm)
D	27.48in (698mm)
E	7.28in (185mm)
F	7.87in (200mm)

B3180

Sink



A	17.67in (449mm)
B	15.75in (400mm)
C	17.67in (449mm)
D	15.75in (400mm)
E	6.89in (175mm)
F	7.48in (190mm)

This Technical Bulletin is intended to provide guidelines for optimal fabrication, installation, and performance of Lotte Chemical Corp. products mentioned. Though the information contained herein is deemed reliable, none of the contents--including but not limited to the instructions, techniques, graphics, and recommendations--is to be understood as implying legal liability of fitness for a specific purpose, any other type of warranty, or being complete or absolute in its range and nature of information.

Depending on the user's particular application, all necessary measures must be taken to verify and test the adequacy for such needs or application. Any information or recommendation herein is strictly for purposes of reference and as such, Lotte Chemical Corp. assumes no responsibility for its suitability or accuracy or the use of such information for products other than Lotte Chemical Corp. Staron® solid surfaces & Radianz® quartz surfaces.